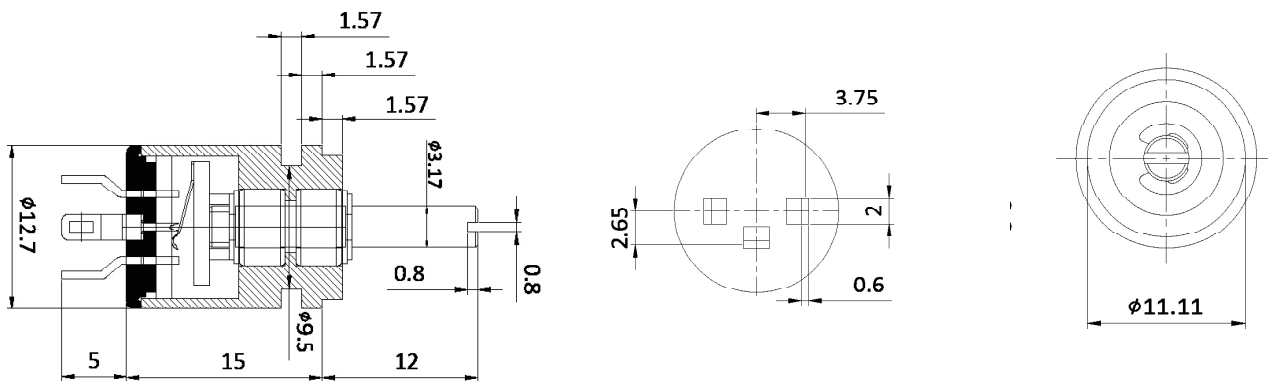


Series 12 Long Life Servomount Potentiometer

CP12S

- space efficient high performance angle sensor or setting device
- Outside diameter 12,7 mm
- long life, ball bearing
- metal housing, conductive plastic sensor element, precious metal slider



ELECTRICAL CHARACTERISTICS

| | |
|---------------------------------|----------------------|
| Resistance element | conductive plastic |
| Resistance range (Ω) | 1k,5k,10k |
| Resistance tolerance (%) | ± 20 |
| Linearity tolerance (%) | ± 2 |
| Power rating (W) | 0.2 |
| Electrical electrical angle (°) | 340 ± 10 |
| Operating life (rotations) | 5.000.000 |
| Maximal wiper current | 1 mA |
| Resolution (IEC 60393) | quasi infinite |
| Insulation resistance | 1000 MOhm at 500 VDC |
| Dielectric strength | 500 VAC |

MATERIAL

| | |
|-----------|--------------------|
| Housing | anodized aluminium |
| Shaft | stainless steel |
| Terminals | brass, gold plated |

OPTIONS ON REQUEST

| |
|-------------------------------|
| Special resistance value |
| Special electrical angles (A) |
| Special shaft length (SL) |

MECHANICAL CHARACTERISTICS

| | |
|-------------------------------------|----------------------------|
| Mechanical angle | 360° continuous |
| Starting torque (gfcM) | 20 gfcM |
| Rotational life (shaft revolutions) | (typ. IEC 60393) 5.000.000 |
| Operating temperature (°C) | -40°C +85°C |
| TCR | 400 ppm /°C |
| Bearing type | ball bearing |

Application

This space-optimized conductive plastic potentiometer of series 12 comes with a high resolution and long life characteristic. A special teflon-bush inside the bearing gives a very smooth run. The small size makes it suitable for mobile sensors for medical equipment or for industrial applications.

ORDERING INFORMATION

| | | | |
|-------|------------|----------------------|---------------------|
| CP12S | 5K | 20% | 2% |
| Model | Resistance | Resistance tolerance | Linearity tolerance |

European Sales & Technical Support

MegAuto KG
 Am Tummelsgrund 48
 D 01156 Dresden, Germany
 Tel : +49 351 6587894 0 Fax : +49 351 6587894 9
 Email : info@megauto.de / www.megauto.de
 a MegAuto Group Company

Worldwide Technical & Marketing Center

MegAuto International
 Div of **CONSENSE SENSALL ELECTRONICS PVT LTD.**
 32, Electronic Sadan - I, MIDC, Bhosari, Pune - 411026, INDIA
 Tel : +91 20 30681190 , +91 20 30626126
 Email : mail@megacraft.net / www.sensall.info
 a MegAuto Group Company



Please note: The specification and information in this datasheet cannot consider all special demands that are caused by the application. Because of this, there are no general description of the properties of the product. MegAuto does not assume any responsibility for damages due to improper application of our products. The user has to ensure by its own, that the products used are suitable for his application. MegAuto does not warrant the reproducibility of published applications.