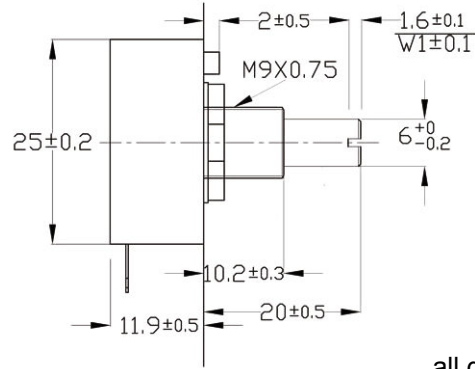
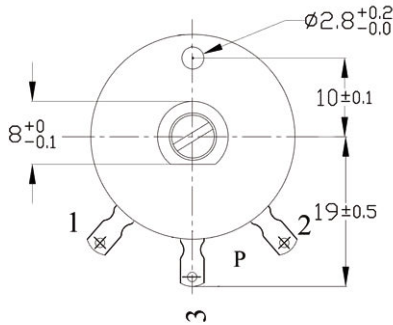
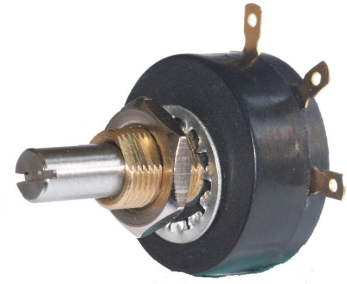


25 mm Single Turn Potentiometer  
Bushing Mount, Wirewound

- With endstop / without endstop
- Wirewound, metric size
- Electrical angle 320°
- Robust design
- Antirotation pin



all dimensions in mm

**ELECTRICAL CHARACTERISTICS**

Resistance element	Wirewound
Standard resistance values (Ω)	(10, 20, 50, 200, 2K) 100, 500, 1k, 5k, 10k
Standard resistance tolerance (%)	(typ. IEC 60393) ± 10
Standard linearity tolerance (%)	(typ. IEC 60393) ± 1
Type of linearity (IEC 393)	Independent linearity
Power rating (+70°C)	1,5 Watt
Electrical travel	320° ± 5° 320° ± 5° with endstop
Insulation resistance	1000 MOhm at 1000 VDC
Dielectric strength	1000 VAC
Noise	<100 Ohm ENR

**RESOLUTION**

Value (Ω)	Resolution
10	0,358
20	0,291
50	0,352
100	0,695
200	0,480
500	0,590
1k	0,462
2k	0,332
5k	0,238
10k	0,220

**MECHANICAL CHARACTERISTICS**

Mechanical angle (MRT25WC)	360° continuous
Mechanical angle (MRT25W)	320° ± 5° with endstop
Torque starting (Ncm)	0,5
Torque running (Ncm)	0,3
Rotational life (shaft revolutions)	(typ. IEC 60393) 300000
Bearing type	sleeve
Rear shaft extension	no
Operating temperature (°C)	-50°C to +105°C

**MATERIAL**

Housing	glass filled thermoset plastic
Shaft	stainless steel
Terminals	brass gold plated
Bushing	brass
Contacts	precious metal
wiper	BeCu

**OPTIONS**

Special resistance value
Special shaft length (S)
With output cable and connector (CC)

**Application:** These robust controls are designed for manual operations as preset and panel trimmers. A good price/performance ratio, acceptable resistance and linearity tolerance make them suitable for industrial applications.

Please note: The specification and information in this datasheet cannot consider all special demands that are caused by the application. Because of this, they are no general description of the properties of the product. Megauto does not assume any responsibility for damages due to improper application of our products. The user has to ensure by its own, that the products used are suitable for his application. Megauto does not warrant the reproducibility of published applications.

**ORDERING INFORMATION**

Detailed information: [www.megauto.de/stepfoil](http://www.megauto.de/stepfoil)

MRT25W	C	10k	/	Axx	(CC)
Typ	continuous (C)	Ω	Special el. Angle	Special Shaft	Options