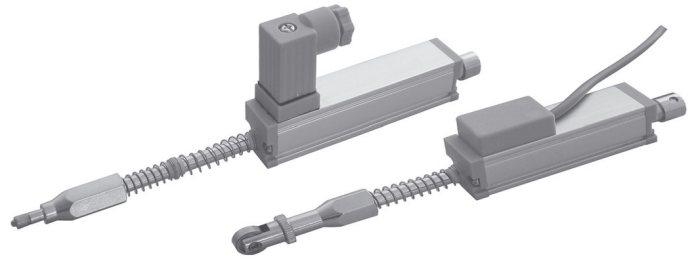
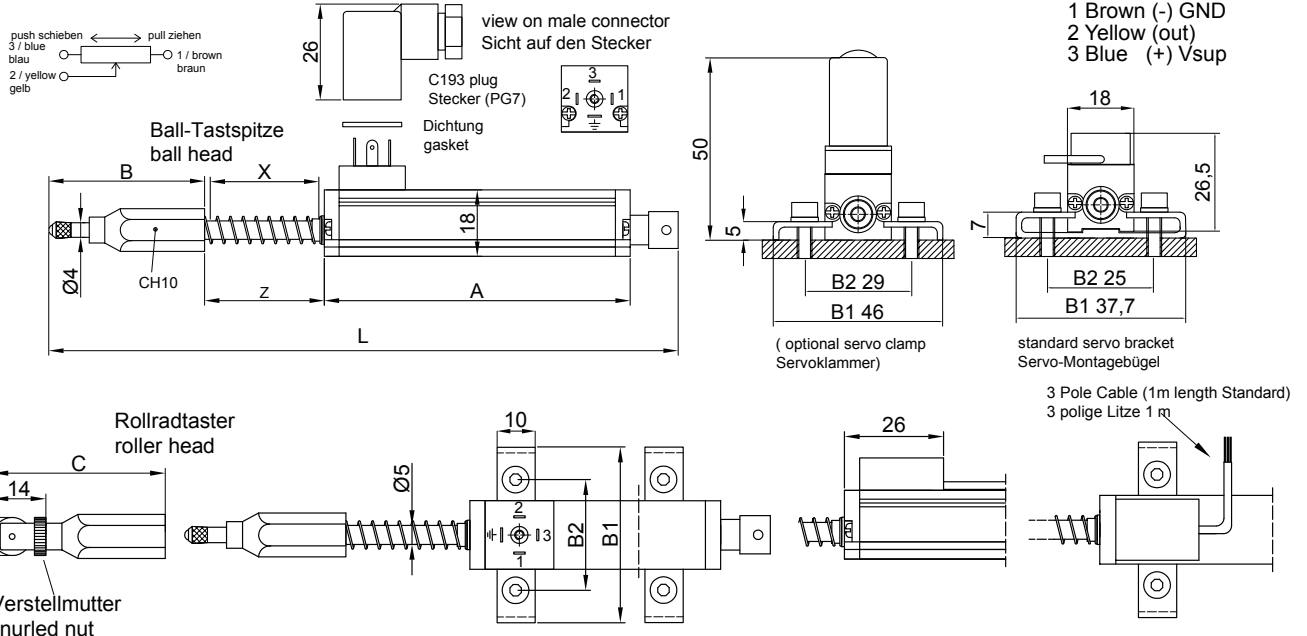


Potentiometric Linear Motion Sensor Stroke Ranges 10 - 50mm

- Compact Design for Limited Space
- Double Slide Bearing
- Excellent Repeatability $\pm 50\mu\text{m}$
- Spring pre-loaded



Please note: The specification and information in this datasheet cannot consider all special demands that are caused by the application. Because of this, they are no general description of the properties of the product. MegAuto does not assume any responsibility for damages due to improper application of our products. The user has to ensure by its own, that the products used are suitable for his application. MegAuto does not warrant the reproducibility or published applications.



- 1 Brown (-) GND
- 2 Yellow (out)
- 3 Blue (+) Vsup

ELECTRICAL CHARACTERISTICS

Resistance Element	Conduktive Plastic
Standard Resistance Values	1k/5kOhms $\pm 20\%$
Independent Linearity Tolerance	(typ. IEC60393) $\pm 0,3 / 0,1\%$
Resolution	quasi infinite
Repeatability	(typ. IEC60393) $\pm 50\mu\text{m}$
Input Voltage	60VDC (max.)
Recommended Wiper Current	1 μA (max. 10mA)
Sealing	IP45
Insulation [M Ω]	>1000 bei 500 VDC
Dielectric Strength	500 VAC

MECHANICAL CHARACTERISTICS

Operating force	>5N
Operating speed	5m/s (max.)
Life (movements)	(typ. IEC60393) 20×10^6
Operating temperature (°C)	-30°C to +85°C

MATERIAL

Housing	Anodized aluminium
Link ball/roller head	stainless steel

ORDERING INFORMATIONS

MTR18	RL	25	1k	K or ST	xxx
Typ	Head	Model	Ω	electr. contact	optional

DIMENSIONS / RESISTANCES

(Dimensions in mm)	Roller Head			Ball Head				
Model*	10	25	50	10	25	50	75	100
Housing -A-	48	63	88	48	63	88	115	140
Total Length -L-	119	149	207	110	140	198		
ball head tip -B-				32	32	40		
roller head tip -C-	43	43	51					
Electr. Travel -X-	11	26	51	11	26	51	76	101
Mech. Travel -Z-	15	30	55	15	30	55	96	120
Resist. $\pm 20\%$ (k Ω)	1	1	5	1	1	5	5	5

OPTIONS

- Roller head (RL), ball head (BA)
- Connector version (ST) or cable version (K)
- All mounting parts are included (clamps)
- length 75 mm and 100 mm on request
- Rod operating force less than 1,2 N

Application: Pre-loaded spring return linear motion sensors are widely used in quality control systems. Additional favourite applications are for instance camera position feedback devices.

European Sales & Technical Support

MegAuto KG
Am Tummelsgrund 48
D 01156 Dresden, Germany
Tel : +49 351 6587894 0 Fax : +49 351 6587894 9
Email : info@megauto.de / www.megauto.de

Worldwide Technical & Marketing Center

MegAuto International, SensAll Division
Div of . Sendap Precision Electronics PVT LTD
3, Electronic Sadan - I, MIDC, Bhosari, Pune - 411026, INDIA
Tel : +91 20 30681190 , +91 20 30626126
Email : mail@megacraft.net / www.sensall.info

