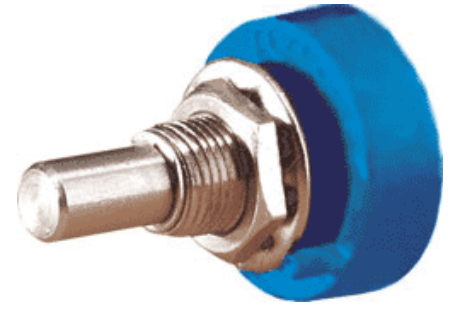
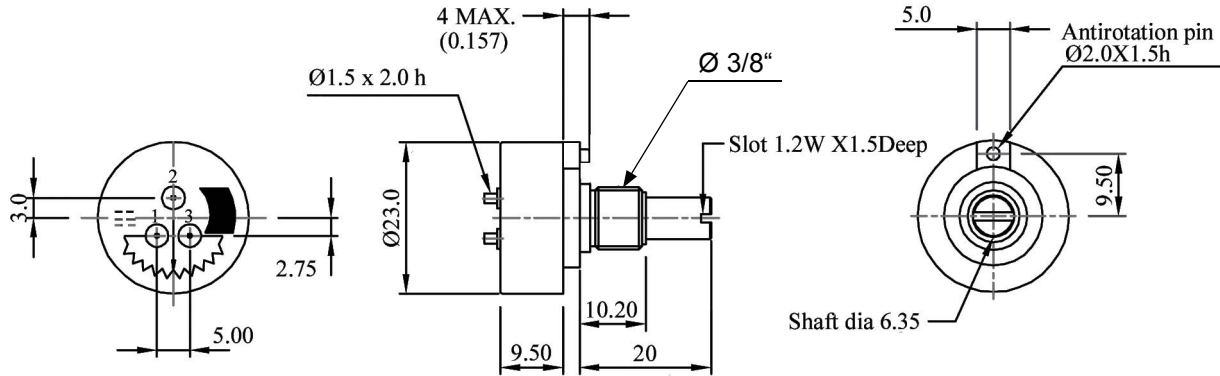


7/8" (23 mm) Industrial Single Turn
Bushing Mount, Conductive Plastic



- R23P with endstop / R23PC 360° without endstop
- Electrical angle 320° (340°)
- 3.000 000 Revolutions
- High electrical resolution
- Special operating torque optional

Please note: The specification and information in this datasheet cannot consider all special demands that are caused by the application. Because of this, they are no general description of the properties of the product. Megauto does not assume any responsibility for damages due to improper application of our products. The user has to ensure by its own, that the products used are suitable for his application. Megauto does not warrant the reproducibility of published applications.



ELECTRICAL CHARACTERISTICS

Resistance element	Conductive plastic
Standard resistance values (Ω)	1k, 5k, 10k (special up tp 100k)
Standard resistance tolerance (%)	(typ. IEC 60393) ± 20
Standard linearity tolerance (%)	(typ. IEC 60393) ± 2
Resolution	quasi infinite
Maximal wiper current	1 mA
Power rating (+70°C)	1 Watt
Electrical travel	340° ± 5° without endstop (R23PC) 320° ± 5° with endstops (R23P)
TCR	400 ppm /°C
Insulation resistance	1000 MOhm at 500 VDC
Dielectric strength	500 VAC

MATERIAL

Housing	glass filled thermoset plastic
Shaft	stainless steel
Terminals	brass, gold plated
Bushing	brass, nickle plated

Soldering Recommendation

Use soldering iron with 350°C for 3 seconds maximum!

MECHANICAL CHARACTERISTICS

Mechanical angle (R23PC)	360° continuous
Mechanical angle (R23P)	330° ± 5° with endstops
Starting torque (Ncm)	<1
Operating torque (Ncm)	0,5
Rotational life (shaft revolutions)	(typ. IEC 60393) 3.000.000
Bearing type	Sleeve
Operating temperature (°C)	-50°C to +105°C

OPTIONS ON REQUEST

Special resistance value
Special electrical angles (A)
Special shafts (S)
IP65 protection (IP65)
2 Wipers (2W)
Special torque
Center tap (CT)

Application: Because of the high resolution conductive plastic element, this precision potentiometer can be used as preset potentiometer as well as in feed-back systems. Because of the long rotational life, it can also be utilized as angle sensors. All standard resistances values are always available from stock. It's very cost effective because of plastic housing.

ORDERING INFORMATION

Detailed information: www.megauto.de/rotaset

R23P	10k	C	L2%	Axxx	S	IP65-CC
Typ	Ω	continuous (C)	Linearity	Special Angle	Special Shaft	Options