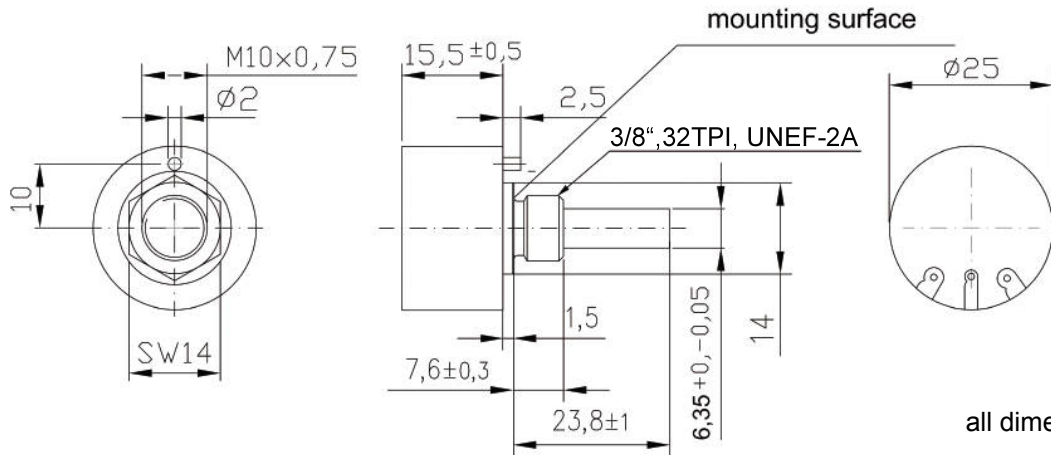


1` (25 mm) 1 Watt Single Turn,  
Bushing Mount, Wirewound, Industrial

- Wirewound setting device
- Electrical angle 270°
- smooth operating torque
- Standard resistance range 100Ω - 20kΩ



all dimensions in mm

**ELECTRICAL CHARACTERISTICS**

Resistance element	Wirewound
Standard resistance values (Ω)	100, 500,1k, 2k, 5k, 10k
Standard resistance tolerance (%)	(typ. IEC 60393) ± 10
Standard linearity tolerance (%)	(typ. IEC 60393) ± 1
Type of linearity	Independent linearity
Power rating (+70°C)	1 Watt
Electrical travel	270° ± 5° (R25WC) 270° ± 5° with endstops (R25W)
Insulation resistance	1000 Mohm at 500 VDC
Dielectric strength	500 VAC
Noise	<100 Ohm ENR

**RESOLUTION**

Value (Ω)	Turns	Resolution
50	144	0,69
100	180	0,56
200	193	0,52
500	256	0,39
1k	391	0,26
2k	454	0,22
5k	580	0,17
10k	652	0,15
20k	899	0,11

**MECHANICAL CHARACTERISTICS**

Mechanical angle (R25WC)	360° ± continuous
Mechanical angle (R25W)	285° ± with endstops
Torque starting (Ncm)	1,5
Torque running (Ncm)	1
Rotational life (shaft revolutions)	(typ. IEC 60393) 100.000
Bearing type	sleeve
Operating temperature (°C)	-50°C to +85°C

**MATERIAL**

Housing	glass filled thermoset plastic
Haft	brass, nickle plated
Terminals	phosphorbronze
Bushing	brass, nickle plated

**OPTIONS UPON REQUEST**

Special resistance value
IP65 protection (IP65)
Special electrical angle (A)
Special shaft (SL)
With output cable and connector (CC)

**Application:** Semi - precision potentiometer for universal use. These medium life preset potentiometers offer several possibilities. With a good resolution and good rotational life are these components suitable for industrial applications.

**ORDERING INFORMATION**

Detailed information: [www.megauto.de/rotaset](http://www.megauto.de/rotaset)

R25W	C	10k	L1%	A300	SL30mm	IP65-CC
Typ	continuous (C)	Ω	Linearity	Special Angle	Special Shaft	Options

Please note: The specification and information in this datasheet cannot consider all special demands that are caused by the application. Because of this, they are no general description of the properties of the product. Megauto does not assume any responsibility for damages due to improper application of our products. The user has to ensure by its own, that the products used are suitable for this application. Megauto does not warrant the reproducibility or published applications.