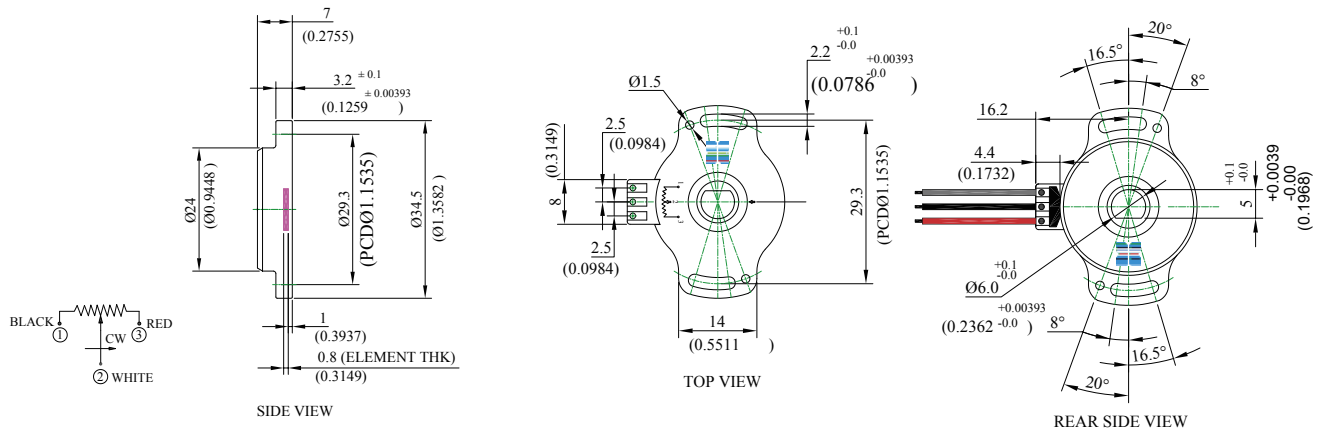


24 mm Single Turn Conductive Plastic

- easy to mount feedback sensor
- electrical travel 340° (360° mechanical)
- 2.000 000 Revolutions
- different shaft diameter
- special shaft shape



Please note: The specification and information in this datasheet cannot consider all special demands that are caused by the application. Because of this, they are no general description of the properties of the product. Megauto does not assume any responsibility for damages due to improper application of our products. The user has to ensure by its own, that the products used are suitable for his application. Megauto does not warrant the reproducibility of published applications.



ELECTRICAL CHARACTERISTICS

Resistance element	Conductive plastic
Standard resistance values (Ω)	1k, 5k, 10k (special up to 100k)
Standard resistance tolerance (%)	(typ. IEC 60393) ± 20
Standard linearity tolerance (%)	(typ. IEC 60393) ± 2,0

Resolution	quasi infinite
Maximal wiper current	<1 mA (1µA recommended)
Power rating (+70°C)	0,5 Watts
Electrical travel	340° ± 5° (RH24PC)
TCR	400 ppm /°C
Insulation resistance	500 MOhm at 500 VDC
Dielectric strength	500 VAC

MECHANICAL CHARACTERISTICS

Mechanical angle	360° continuous
Starting torque (Ncm)	0,2
Operating torque (Ncm)	0,15
Rotational life (shaft revolutions)	(typ. IEC 60393) 2.000.000
Bearing type	Sleeve
Operating temperature (°C)	-50°C to +105°C
Soldering Recommendation	350° C for 3 second maximum

MATERIAL

Housing	glass filled thermoset plastic
Hollow Shaft	plastic/brass
Terminals	copper, gold plated

OPTIONS UPON REQUEST

Special resistance value
Special electrical tolerances
Soldering pins (SP)
Cable and connectors (CC)

HOLLOW SHAFT

Hollow shaft Ø 6 mm, no flattening (ND)
Hollow shaft Ø 6 mm, 5mm flattening (D5)
Hollow shaft Ø 3 mm, 2,5 mm flattening (3D)

Application: The hollow-shaft 24mm precision conductive plastic potentiometer has an universal adapter flange for flexible mounting and O-print adjustment. The hollow is flattened for easy joining of the potentiometer on the application-shaft. Other shaft-shapes are round in dia 6 as well as 3 or 3,17 mm.

ORDERING INFORMATION

Detailed information: www.megauto.de/rotaset

RH24PC-E	10k	L2%		D5		
Typ	Ω	Linearity	Special el. Angle	Hollow Shaft	Options	

European Sales & Technical Support

MegAuto KG a MegAuto Group Company
 Am Tummelsgrund 48
 D 01156 Dresden, Germany
 Tel : +49 351 6587894 0 Fax : +49 351 6587894 9
 Email : info@megauto.de / www.megauto.de

Worldwide Technical & Marketing Center

MegAuto International a MegAuto Group Company
 Div of CONSENSE SENSALL ELECTRONICS PVT LTD.
 32, Electronic Sadan - I, MIDC, Bhosari, Pune - 411026, INDIA
 Tel : +91 20 30681190 , +91 20 30626126
 Email : mail@megacraft.net / www.sensall.info

