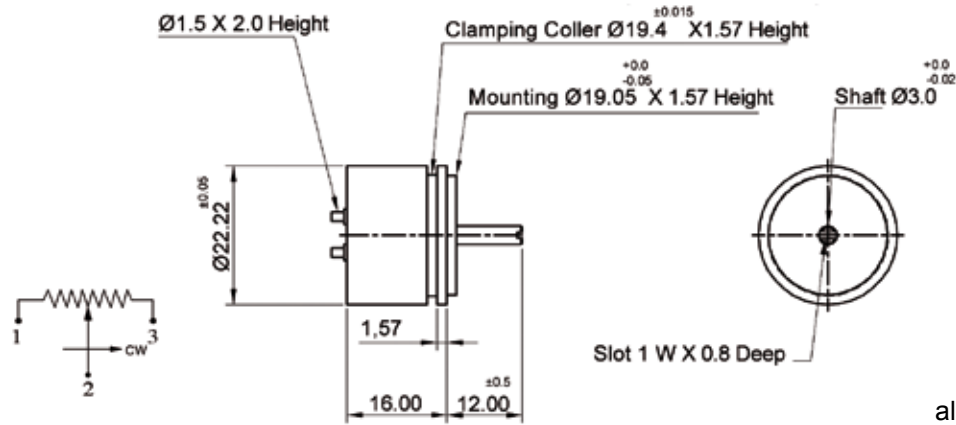


22 mm Industrial Single Turn
Servo Mount, Conductive Plastic

- Metric size
- Electrical angle 340° (mech. 360° continuous)
- Precious metal wiper
- High electrical resolution



Please note: The specification and information in this datasheet cannot consider all special demands that are caused by the application. Because of this, they are no general description of the properties of the product. Megauto does not assume any responsibility for damages due to improper application of our products. The user has to ensure by its own, that the products used are suitable for his application. Megauto does not warrant the reproducibility of published applications.



all dimensions in mm

ELECTRICAL CHARACTERISTICS

Resistance element	Conductive plastic
Standard resistance values (Ω)	1k, 5k, 10k (up to 100k)
Standard resistance tolerance (%)	(typ. IEC 60393) ± 20
Standard linearity tolerance (%)	(typ. IEC 60393) ± 1,5
Best independent linearity tolerance (%)	(typ. IEC 60393) ± 1
Resolution	quasi infinite
Maximal wiper current	<1 mA (1µA recommended)
Power rating (+70°C)	1 Watt
Electrical Travel	340° ± 5°
TCR	400 ppm/C°
Insulation resistance	1000 Mohm at 500 VDC
Dielectric strength	500 VAC

MATERIAL

Housing	anodized aluminium
Shaft	stainless steel
Terminals	brass gold plated

MECHANICAL CHARACTERISTICS

Mechanical angle	360° continuous
Starting torque (Ncm)	<1
Operating torque (Ncm)	0,3
Rotational life (shaft revolutions)	(typ. IEC 60393) 4.000.000
Bearing type	ball bearing
Operating temperature (°C)	-50°C to +105°C

OPTIONS UPON REQUEST

Special Resistance Value
Special Electrical Angles (A)
Special shaft (S)
2 Wipers (2W)

Application: This conductive plastic potentiometer is a very reasonably priced device for industrial purposes. It is always a good choice for applications with higher demands for electrical precision and a good rotational life, where an absolute high performance is not required.

ORDERING INFORMATION

Detailed information: www.megauto.de/rotasense

RS22PC	10k	C	L1,5%	A180	S15mm	2W
Typ	Ω	continuous (C)	Linearity	Special el. Angle	Special Shaft	Options