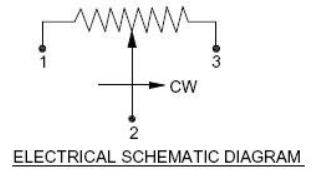
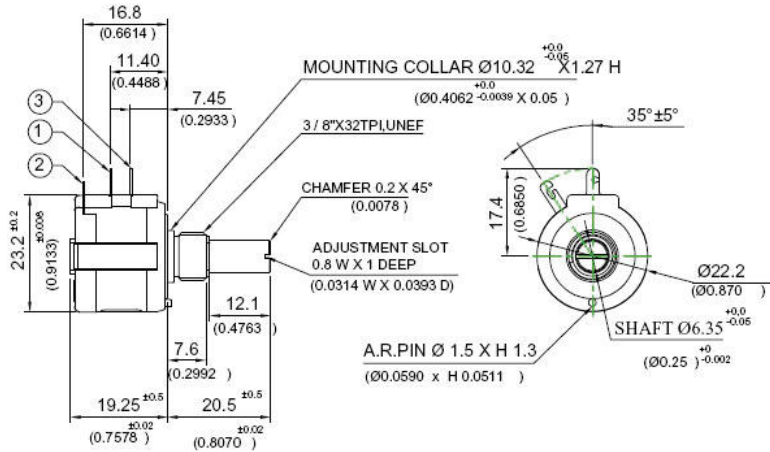
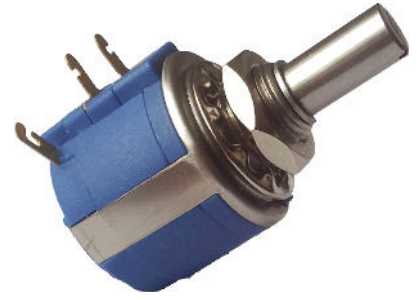


7/8" (22 mm) 2 Watt 10 Turn-Potentiometer,  
Bushing Mount, Wirewound, Robust

- 10 turn panel control, wirewound, encoder
- Electrical angle 3600°, stainless steel shaft
- 2 Watt power dissipation
- High mechanical and electrical resolution



all dimensions in mm

**ELECTRICAL CHARACTERISTICS**

Resistance element	Wirewound
Standard resistance values (Ω)	100, 1k, 5k, 10k (optional 500, 2K, 20K, 50K, 100K)
Standard resistance tolerance (%)	(typ. IEC 60393) ± 10
Standard linearity tolerance (%)	(typ. IEC 60393) ± 0,5
Type of linearity	Independent linearity
Power rating (+40°C)	2 Watt
Electrical travel	3600° (+ 10°; -0°)
End resistance	0,1% or 1Ω (whatever is higher)
Insulation resistance	1000 MOhm at 500 VDC
Dielectric strength	750 VAC
Noise	<100 Ohm ENR

**MATERIAL**

Housing	glass filled thermoset plastic
Shaft	stainless steel
Terminals	brass, silver plated
Bushing	brass, nickel plated

**ACCESSORIES**



**RLD22-15 MULTITURN DIAL**

Turns	max 15
Dial divisions	100 / turn
Locking	locking brake
Front panel	2mm - 6mm
Shaft Ø	6,35 mm
Fixing	setscrew
Material	Metal body/plastics

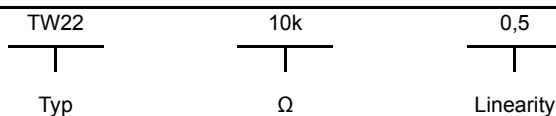
**MECHANICAL CHARACTERISTICS**

Mechanical turns	10
Mechanical angle	3600 °
Torque starting (Ncm)	<1
Rotational life (shaft revolutions)	(typ. IEC 60393) 250.000
Bearing type	Sleeve
Operating temperature (°C)	-35°C to +85°C

**Application:**

The TW22 has been designed for applications where the electrical and mechanical resolution of a single turn potentiometer is not sufficient, and where precision multiturn potentiometers are too expensive. The TW22 is extremely low cost, has a robust construction and can be used in combination with our low cost turn counting dial for industrial panel mount applications.

**ORDERING INFORMATION**



**European Sales & Technical Support**

**MegAuto KG** a MegAuto Group Company  
Am Tummelsgrund 48  
D 01156 Dresden, Germany  
Tel : +49 351 6587894 0 Fax : +49 351 6587894 9  
Email : info@megauto.de / www.megauto.de

**Worldwide Technical & Marketing Center**

**MegAuto International** a MegAuto Group Company  
Div of CONSENSE SENSALL ELECTRONICS PVT LTD.  
32, Electronic Sadan - I, MIDC, Bhosari, Pune - 411026, INDIA  
Tel : +91 20 30681190 , +91 20 30626126  
Email : mail@megacraft.net / www.sensall.info



Please note: The specification and information in this datasheet cannot consider all special demands that are caused by the application. Because of this, they are no general description of the properties of the product. Megauto does not assume any responsibility for damages due to improper application of our products. The user has to ensure by its own, that the products used are suitable for his application. Megauto does not warrant the reproducibility of published applications. 2016