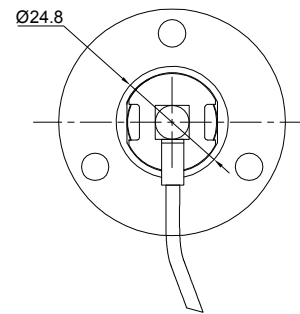
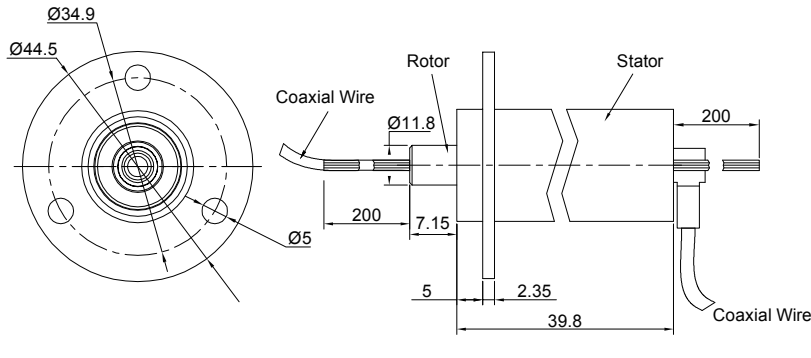


12 Rings at 240V / 2A

25mm housing diameter

- Transmission of high frequent signals
- For analog and digital signal transmission
- Gold to Gold contacts
- Precision ball bearings
- Metal housing with flange



all dimensions in mm

ELECTRICAL CHARACTERISTICS (RING CONTACT)

Number of rings	12
Current	240 VAC/DC
Voltage	2A per ring
Dielectric strength	500 VAC (50 Hz)
Insulation resistance	100 MΩ at 500 VDC
Noise	<20 mΩ
Protection	IP54

MATERIAL

Stator	Alumina / Plastic
Rotor	Thermoset Plastic
Contacts	Gold to Gold
Connecting wire	AWG28, copper, silver plated wire, Teflon™ covered

ELECTRICAL CHARACTERISTICS (COAX CONTACT)

Specific Impedance	50Ω
Frequency range	50MHz - 3GHz
Contact resistance (outer conductor)	<100 mΩ
Contact resistance (inner conductor)	<50 mΩ
Line attenuation	≥0,5 dB at 3GHz
Insulation resistance	1000 MΩ at 500 VDC
Cable type	RJ316/U
Connector type	SMA/BNC/TNC/SMB

COLOURCODING FOR WIRES

according to general design colour coding or numerical coding

OPTIONS ON REQUEST

Special rings for 5 or 10A
Mechanical adapter
databus wiring
Other lengths of the wires
Connector

MECHANICAL CHARACTERISTICS

Mechanical angle of rotation	360° continuous
Rotating speed	250 rpm
Rotational life - rotor movements	according application
Bearing type	precision ball bearings
Operating temperature (°C)	-20°C to +60°C

Application:

Robotics, Rotative sensors, Aviation, Military, Medical equipment, Measurement and testing devices, Rotary indexing table, Video systems.

ORDERING INFORMATION

CA12XCAL

—
|
Type

n.a.

—
|
Options