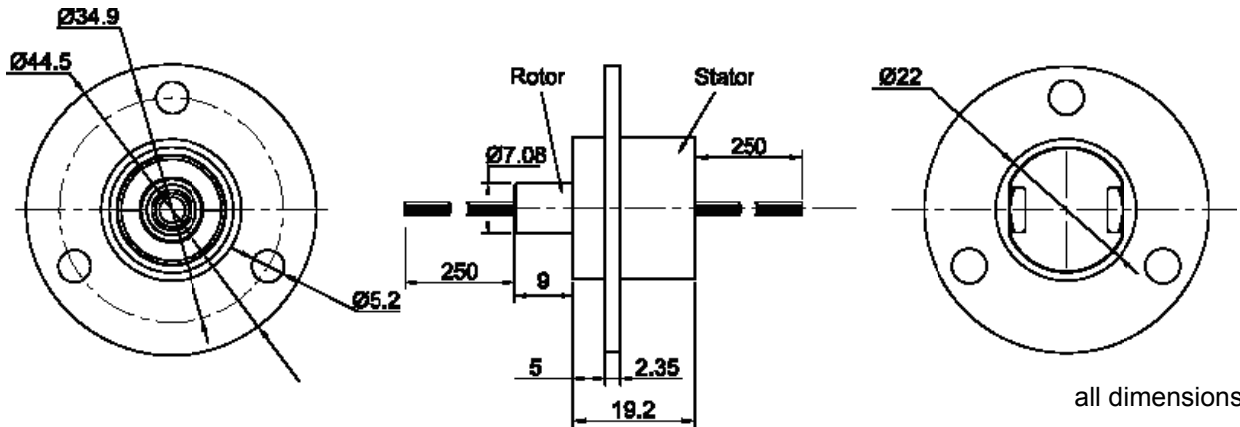
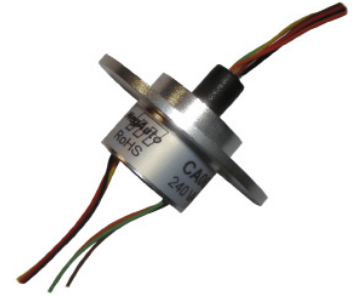


6 Rings at 240V / 2A
22mm housing diameter

- For analog and digital signal transmission
- Gold to Gold contacts
- Precision ball bearings
- Metal housing with flange
- Low current noise



ELECTRICAL CHARACTERISTICS

Number of rings	6
Current	240 VAC/DC
Voltage	2A per ring
Dielectric strength	500 VAC (60 Hz) ring to ring
Insulation resistance	1000 MΩ at 500 VDC
Noise	<20 mΩ
Protection	IP54

MECHANICAL CHARACTERISTICS

Mechanical angle of rotation	360° continuous
Rotating speed	250 rpm
Rotational life (rotor movements)	according application
Bearing type	precision ball bearings
Operating temperature (°C)	-20°C to +60°C

MATERIAL

Stator	Alumina
Rotor	Thermoset plastic
Contacts	Gold to Gold
Connecting wire	AWG28, copper, silver plated Teflon™ covered

COLOR CODING FOR WIRES

Color	Ring
Black	Ring 1
Brown	Ring 2
Red	Ring 3
Orange	Ring 4
Yellow	Ring 5
Green	Ring 6

OPTIONS ON REQUEST

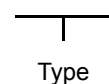
Special rings for 5 or 10A
Mechanical adapter
Coax- or databus wiring
Other lengths of the wires
Connector

Description: Sliprings are used in electrical - mechanical systems where a uninterrupted current or signal transmission from a static to an rotating object has to be to proceed. The encapsulated sliprings are integrated into a metal housing, this avoids the influence of interferences. Special wipers are sliding on a track, wiper and track are formed to fit perfectly into each other. This construction enlarges the contact surface, reduces current noises and improves the life time performances.

Application: Robotics, Rotative sensors, Aviation, Military, Medical equipment, Measurement and testing devices, Rotary indexing table, Video systems.

ORDERING INFORMATION

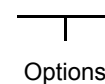
CA6X4AL



Type

Detailed information: www.megauto.de/slipring

length of the wire 500mm



Options

MEGAUTO KG • 01156 Dresden • Am Tummelsgrund 48 • www.megauto.de
Tel.: +49 351 65878940 • Fax: +49 351 65878949 • mail: info@megauto.de

2019 subject to change without notice/E & OE, ROHS compliant product

