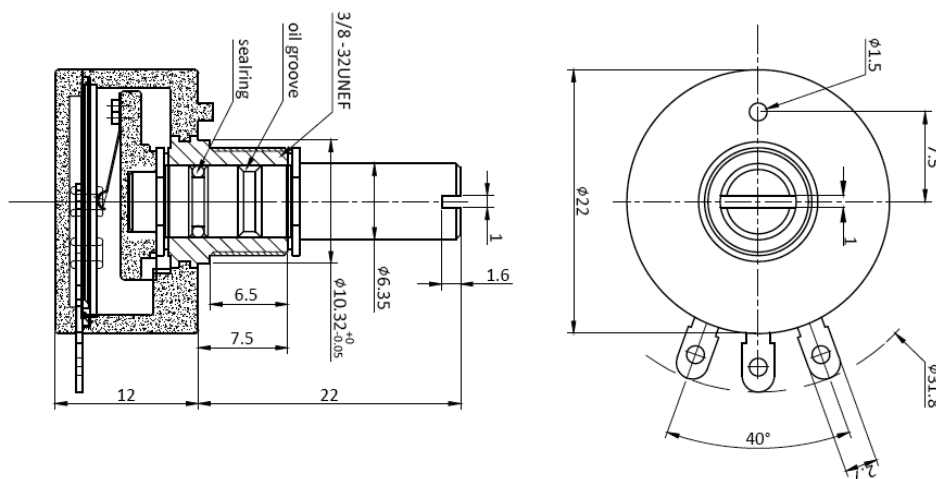


Please note: The specification and information in this datasheet cannot consider all special demands that are caused by the application. Because of this, there are no general description of the properties of the product. MegAuto does not assume any responsibility for damages due to improper application of our products. The user has to ensure on his own, that the products used are suitable for this application. MegAuto does not warrant the reproducibility of published information. The specifications can be changed any time without notice.

22 mm Precision Conductive Plastic Potentiometer

- Mechanical end stop - 320 °
- Bush mounting - 3/8" × 32UNEF
- Shaft diameter 6.35 mm
- Plastic housing
- Anti rotation pin
- For setting and rotary sensing application
- Radial terminals

JSP23B3



ELECTRICAL CHARACTERISTICS

Resistance element	Conductive plastic
Resistance range (Ω)	1k, 5k, 10k
Resistance tolerance (%)	± 20
Linearity tolerance (%)	±1.5
Rated wattage (W)	1
Electrical angle (°)	320 ° ± 5 °
Operating temperature (° C)	- 55 to + 105

MECHANICAL CHARACTERISTICS

Total rotational angle	320 ° ± 5 °
Rotation torque (Ncm) (approx.)	0.2 - 2
Stopper strength (NCM)	< 1
Operational life (approx. rotations)	4,000,000

OPTIONS ON REQUEST

Special shaft length, D slot
 O-ring (IP65) protection
 Special tolerances are also available

ORDERING INFORMATION

JSP23B3

1K

20%

1.5L

Model

Resistance

Resistance tolerance

Linearity tolerance

European Sales & Technical Support

MegAuto KG
 Am Tummelsgrund 48
 D 01156 Dresden, Germany
 Tel : +49 351 6587894 0 Fax : +49 351 6587894 9
 Email : info@megauto.de / www.megauto.de
 a MegAuto Group Company

Worldwide Technical & Marketing Center

MegAuto International
 Div of **CONSENSE SENSALL ELECTRONICS PVT LTD.**
 32, Electronic Sadan - I, MIDC, Bhosari, Pune - 411026, INDIA
 Tel : +91 20 30681190 , +91 20 30626126
 Email : mail@megacraft.net / www.sensall.info
 a MegAuto Group Company

