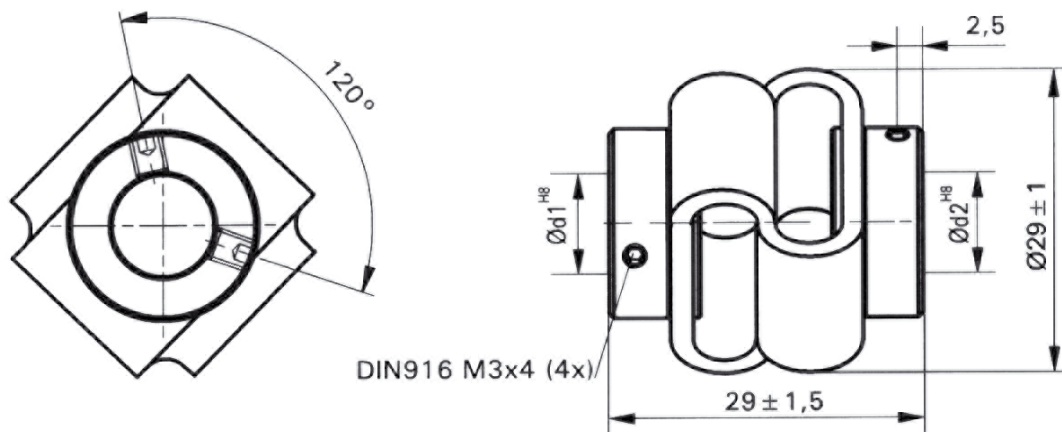
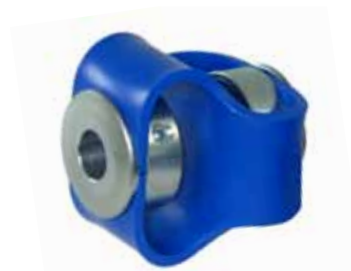


29 mm Polyurethane coupling
Hexagon socket clamp screwing

- Free of play
- High torsional strength
- Compensation of up to 10°
- Electrical isolating



all dimensions in mm

MECHANICAL CHARACTERISTICS

Rotational speed (U/min)	3000 (max.)
Operating torque (Ncm)	45
Maximum torque (Ncm)	50
Weight (g)	33
Moment of inertia (g/cm ²)	41
Torsional strength (Ncm/rad)	13
Lateral misalignment (mm)	±2
Angular misalignment (°)	10
Axial misalignment (mm)	±2
Maximum clamping torque (Ncm)	35
Temperature range (°C)	-30 to +85

MATERIAL

Coupling	Polyurethane
Hexagon set screw	Steel, browned

OPTIONS UPON REQUEST

D1 (mm)	D2 (mm)	
Ø 6	Ø 6	6-6
Mixed inch / metric and other bores on request.		

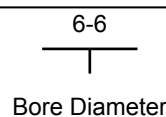
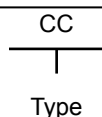
Note: A flattened shaft reduces the radial misalignment.

Description: This coupling, made from polyamide, guarantees a play free transmission of radial movements for medium torques. The plastic material of the body of the coupling acts as an electrical isolator. The construction reduces the backlash forces. Resistant to oils, benzene, acids, solvents.

Typical applications: Encoder, potentiometer, small servo drives, stepper motors and measurement- and servo systems

ORDERING INFORMATION

Detailed information: www.megauto.de



Please note: The specification and information in this datasheet cannot consider all special demands that are caused by the application. Because of this, they are no general description of the properties of the product. Megauto does not assume any responsibility for damages due to improper application of our products. The user has to ensure by its own, that the products used are suitable for his application. Megauto does not warrant the reproducibility of published applications.