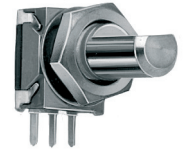


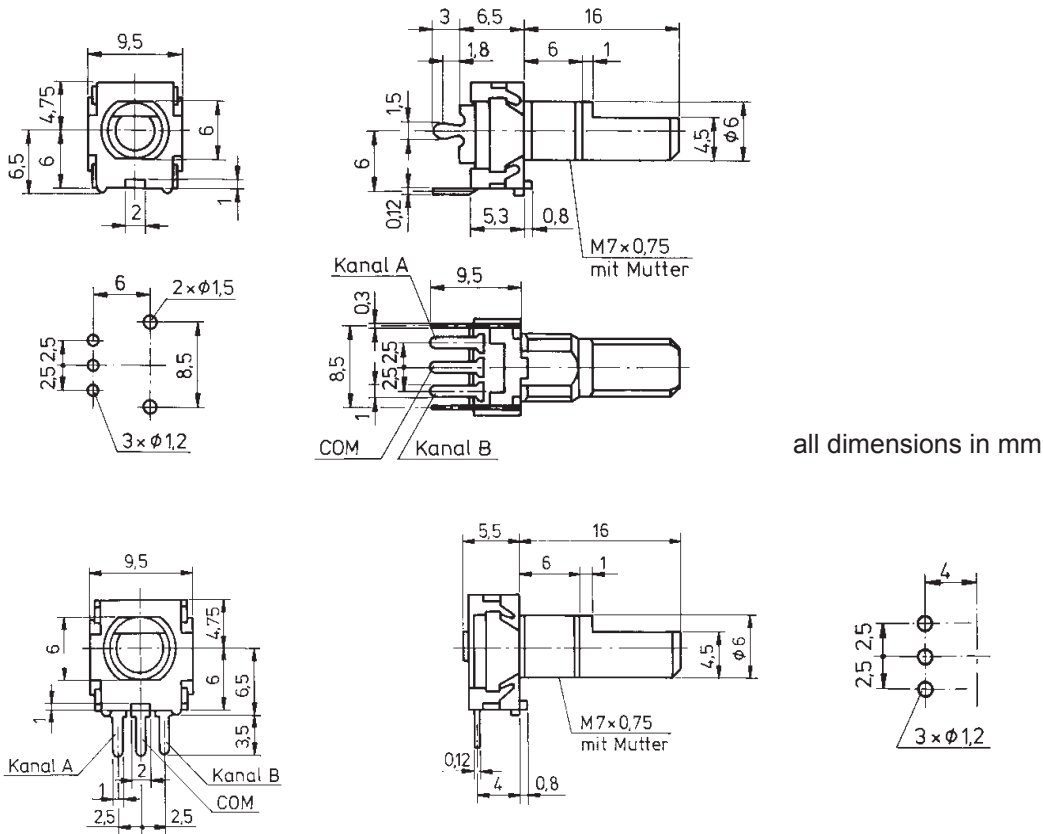
MSP20 – Incremental Rotary Encoder
 2 channels A+B, 20 numbers of detents 18° ±1,5°

High-precision sliding type encoder
 Incremental encoding
 Ratings: 10 V DC - max. 2 mA
 Low cost as compared with optical type



MSP20S (vertical design) MSP20L (horizontal design)

Please note: The specification and information in this datasheet cannot consider all special demands that are caused by the application. Because of this, they are no general description of the properties of the product. Megauto does not assume any responsibility for damages due to improper application of our products. The user has to ensure by its own, that the products used are suitable for his application. Megauto does not warrant the reproducibility of published applications.



MECHANICAL CHARACTERISTICS

Mechanical angle	360° continuous
Number of detent	20 (18° ± 1,5°)
Detent torque (Ncm)	4
Operating life	200.000
Bearing type	sleeve bearing
Protection class	IP44
Operating temperature (°C)	-10°C to +55°C

MATERIAL

Housing	zinc die-cast
Shaft	brass alloy
Connectors	Cu-Be silver-plated
Bushing	zinc die-cast

ELECTRICAL CHARACTERISTICS

Contact resistance	connected typ. <10 Ω disconnected typ. >100 kΩ
--------------------	---

ASSEMBLY

Tightening torque of the nut typ.	40 Ncm
Manual soldering:	260°C ±5°C/5 ±1 sec.

OPTIONEN

Special shaft shapes (S)	(flattening, knurling...)
--------------------------	---------------------------

Application: Miniature encoder for different kinds of level control, tuning and timer setting in audio-visual equipment, simply household electric appliances, radio equipment, communications equipment, etc.

ORDERING INFORMATION

MSP20	S	20mm	(optional)
Typ	vertical(S) / horizontal (L)	Shaft length (16mm) / (20mm)	Special shaft