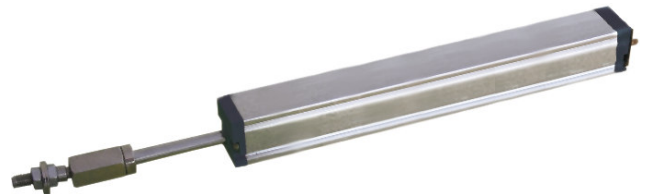


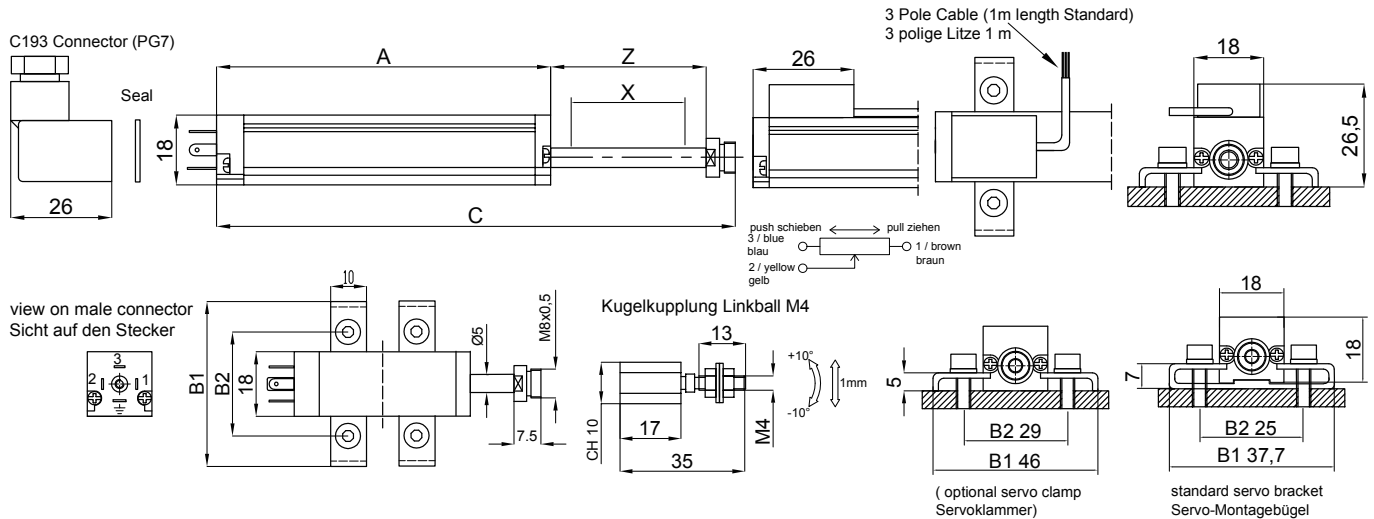
## Potentiometric Linear Motion Sensor

Stroke Ranges 10 - 450mm

- Compact Design for Limited Space
- Linkball
- Linearity Tolerances up to  $\pm 0,1\%$
- Excellent Repeatability  $\pm 50\mu\text{m}$



Please note: The specification and information in this datasheet cannot consider all special demands that are caused by the application. Because of this, they are no general description of the properties of the product. Megauto does not assume any responsibility for damages due to improper application of our products. The user has to ensure by its own, that the products used are suitable for his application. Megauto does not warrant the reproducibility or published applications.



### DIMENSIONS / RESISTANCES

Model	10	25	50	75	100	125	150	175	200	225	250	275	300	350	375	400	425	450
Housing -A- (mm)	60	75	100	125	150	175	200	225	250	275	300	325	350	400	425	450	475	500
Length -C- (mm)	83	113	163	213	263	313	363	413	463	513	563	613	663	763	813	863	913	963
Electr. Travel -X- (mm)	11	26	51	76	101	126	151	177	202	227	252	277	302	353	378	403	428	453
Mech. Travel -Z-(mm)	15	30	55	80	105	130	155	180	205	230	255	280	305	355	380	405	430	455
Resist. $\pm 20\%$ (k $\Omega$ )	1	1	5	5	5*	5	5*	5	5*	5	5*	5	5	5*	5	5*	5	5*

\*stock item

### ELECTRICAL CHARACTERISTICS

Resistance element	Conduktive Plastic
Standard resistance values	1k/5kOhms $\pm 20\%$
Independent linearity tolerance	(typ. IEC60393) $\pm 0,3 / 0,1\%$
Resolution	quasi infinite
Repeatability	(typ. IEC60393) $\pm 50\mu\text{m}$
Input voltage	60VDC (max.)
Recommended wiper current	<1mA
Sealing	IP45
Insulation [MOhm]	>1000 bei 500 VDC
Dielectric strength	500 VAC

### MECHANICAL CHARACTERISTICS

Vibration (IEC 68-2-6:1982)	10G
Shock (IEC 68-2-29:1968)	40G
Operating force	>5N
Operating speed	5m/s (max.)
Life (movements)	(typ. IEC60393) $20 \times 10^6$
Operating temperature ( $^{\circ}\text{C}$ )	$-30^{\circ}\text{C}$ to $+85^{\circ}\text{C}$
Mechanical connection	link ball
Fixing	servo brackets

### MATERIAL

Housing	Anodized Aluminium
Link ball	Stainless steel

### OPTIONS

Connector version (ST) or cable version (K)
Rod operating force less than 1,2 N
Fixing by servo clamps (see sketch)

**Application:** The MT118 transducer is a potentiometric sensor in conductive plastic technology. Multifinger wipers guarantee a smooth output signal. This mini design, combined with a robust extruded alumina profile, makes the sensor suitable for applications with limited space.

### ORDERING INFORMATIONS

MT118	100	5k	ST	xxx
Typ	Model	$\Omega$	electr. connector	optional

### European Sales & Technical Support

**MegAuto KG**  
 Am Tummelsgrund 48  
 D 01156 Dresden, Germany  
 Tel : +49 351 6587894 0 Fax : +49 351 6587894 9  
 Email : info@megauto.de / www.megauto.de

### Worldwide Technical & Marketing Center

**MegAuto International, SensAll Division**  
 Div of . Sendap Precision Electronics PVT LTD  
 3, Electronic Sadan - I, MIDC, Bhosari, Pune - 411026, INDIA  
 Tel : +91 20 30681190 , +91 20 30626126  
 Email : mail@megacraft.net / www.sensall.info

